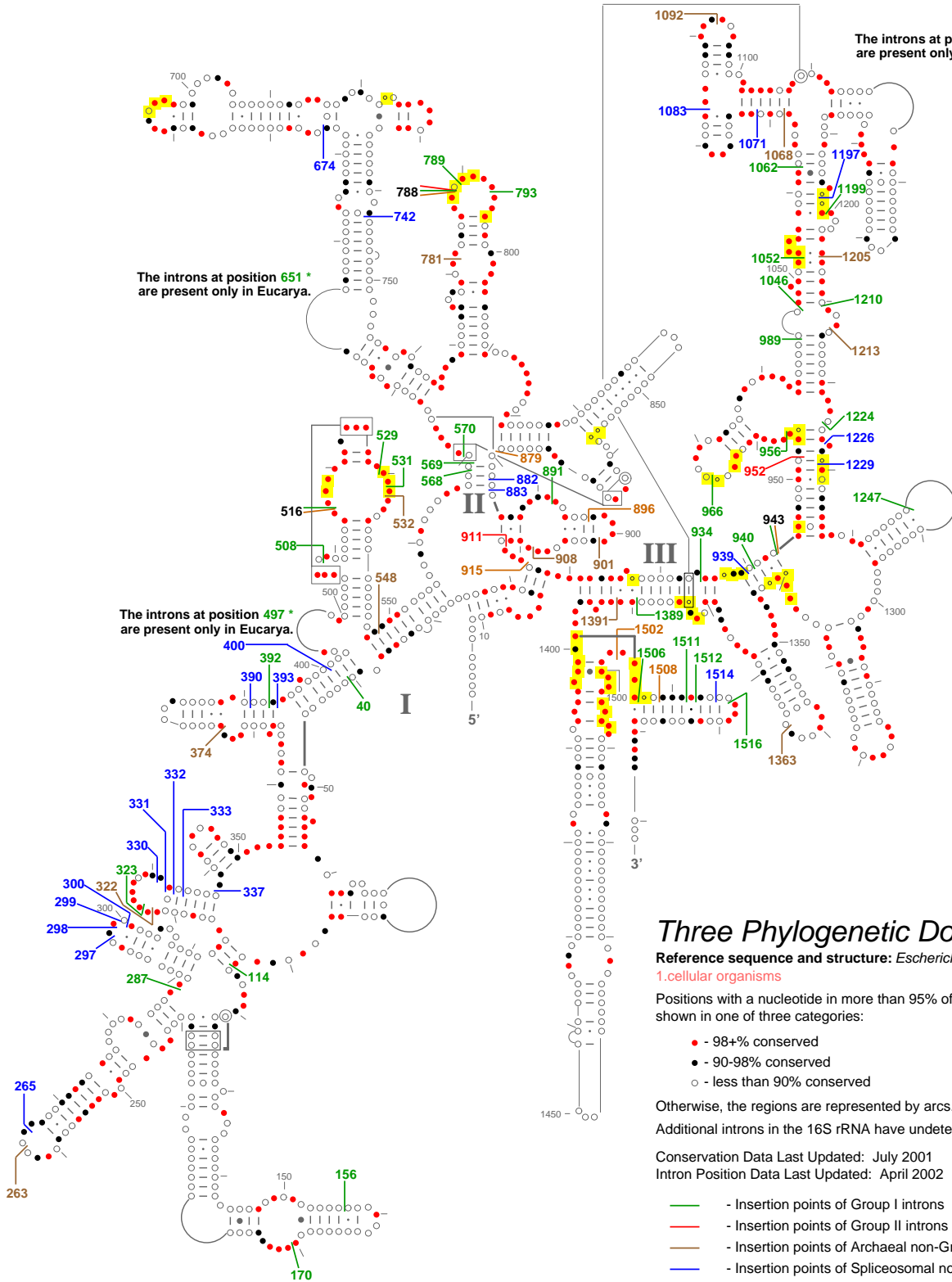


# rRNA Introns: Intron Positions in 16S rRNA

## Shown on the Three Phylogenetic Domains Conservation Diagram

(Data from 14 February 2002)



The introns at position 651\* are present only in Eucarya.

The introns at position 497\* are present only in Eucarya.

The introns at position 1139\* are present only in Eucarya.

### Three Phylogenetic Domains

Reference sequence and structure: *Escherichia coli* (J01695)

#### 1. cellular organisms

Positions with a nucleotide in more than 95% of the sequences are shown in one of three categories:

- - 98+% conserved
- - 90-98% conserved
- - less than 90% conserved

Otherwise, the regions are represented by arcs.

Additional introns in the 16S rRNA have undetermined insertion points.

Conservation Data Last Updated: July 2001  
 Intron Position Data Last Updated: April 2002

- - Insertion points of Group I introns
- - Insertion points of Group II introns
- - Insertion points of Archaeal non-Group I/II introns
- - Insertion points of Spliceosomal non-Group I/II introns
- - Insertion points of non-Group I, II, Archaeal, Spliceosomal introns

Yellow highlights show proximity (within 10.0 Angstroms) to the A, P and E sites and to mRNA (based upon PDB entry 1JGQ).

Position numbers marked with \* are approximations, unlike the others.  
 The structures of the organisms containing these introns are not identical to the reference sequence. These numbers indicate the reference sequence positions before the insertion.